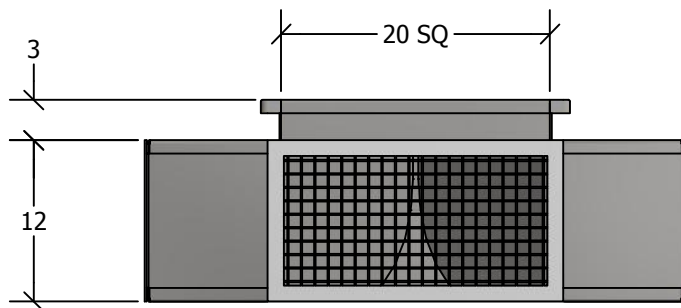


VERTICAL FACE PLENUM DIFFUSER



STANDARD FEATURES

1. G-90 Galvanized Steel Construction.
2. Turning Vanes in Each Quadrant.
3. 1" 1-1/2 lb. Duct Liner.
4. Vertical and Horizontal Adjustable Deflection Grilles.
5. Fully Assembled
6. TDC Duct Connections Provided.
7. 3/8" Threaded Inserts for Mounting Available.
8. Engineered Curb and Duct Packages Available.

NOM CFM	MODEL NO	WEIGHT
3,400	VFPD 2010-8.5	55 LBS
0° DEFLECTION		
THROW	P.D.	NC
55'	.11	28
22 1/2° DEFLECTION		
THROW	P.D.	NC
44'	.11	27
45° DEFLECTION		
THROW	P.D.	NC
28'	.15	33

QTY TAG

JOB NAME


CURBS PLUS, INC.
www.curbs-plus.com