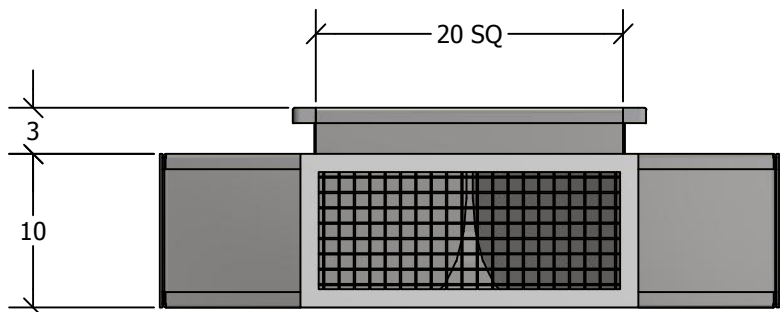


VERTICAL FACE PLENUM DIFFUSER



STANDARD FEATURES

1. G-90 Galvanized Steel Construction.
2. Turning Vanes in Each Quadrant.
3. 1" 1-1/2 lb. Duct Liner.
4. Vertical and Horizontal Adjustable Deflection Grilles.
5. Fully Assembled
6. TDC Duct Connections Provided.
7. 3/8" Threaded Inserts for Mounting Available.
8. Engineered Curb and Duct Packages Available.

NOM CFM 2,000-3,000	MODEL NO VFPD 2008-5-7.5	WEIGHT 55 LBS
0° DEFLECTION		
THROW 31-35	P.D. .06-.108	NC 12-17
22 1/2° DEFLECTION		
THROW 22-25	P.D. .08-.14	NC 16-23
45° DEFLECTION		
THROW 16-20	P.D. .11-.2	NC 22-32

QTY TAG

JOB NAME

CURBS PLUS, INC.
www.curbs-plus.com