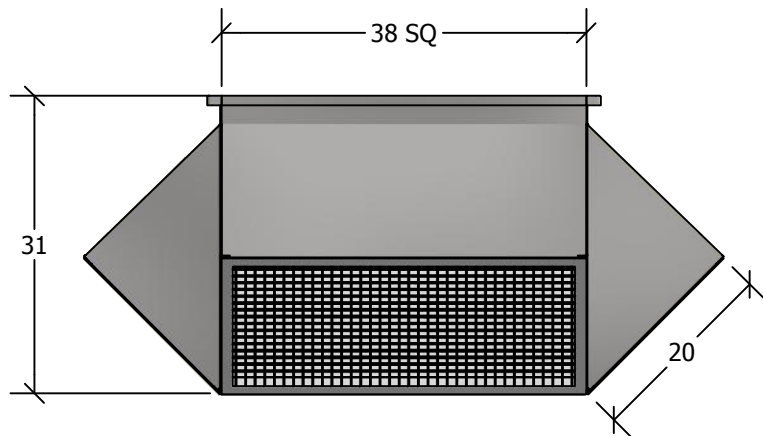


## SLANT FACE PLENUM DIFFUSER



### STANDARD FEATURES

1. G-90 Galvanized Steel Construction.
2. Turning Vanes in Each Quadrant.
3. 1" 1-1/2 lb. Duct Liner.
4. Vertical and Horizontal Adjustable Deflection Grilles.
5. Fully Assembled
6. TDC Duct Connections Provided.
7. 3/8" Threaded Inserts for Mounting Available.
8. Engineered Curb and Duct Packages Available.

|                    |                          |                   |
|--------------------|--------------------------|-------------------|
| NOM CFM<br>12,000  | MODEL NO<br>SFPD 3618-30 | WEIGHT<br>181 lbs |
| 0° DEFLECTION      |                          |                   |
| THROW<br>101'      | P.D.<br>.11              | NC<br>34          |
| 22 1/2° DEFLECTION |                          |                   |
| THROW<br>78'       | P.D.<br>.12              | NC<br>35          |
| 45° DEFLECTION     |                          |                   |
| THROW<br>46'       | P.D.<br>.17              | NC<br>41          |

QTY TAG

JOB NAME

  
**CURBS PLUS, INC.**  
[www.curbs-plus.com](http://www.curbs-plus.com)