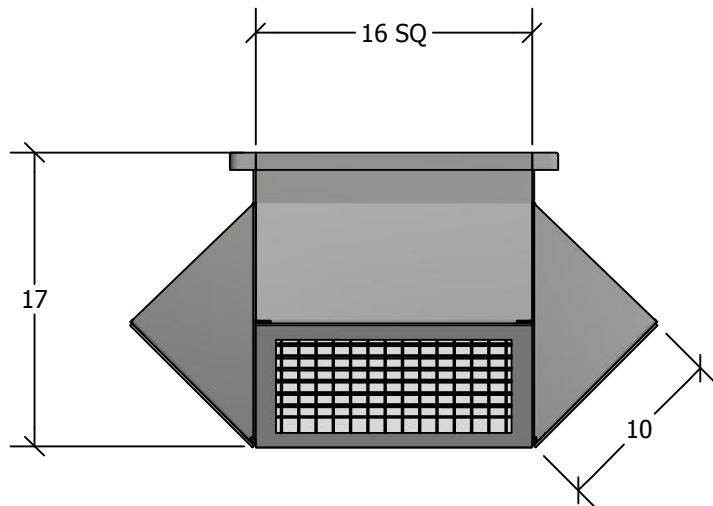


SLANT FACE PLENUM DIFFUSER



STANDARD FEATURES

1. G-90 Galvanized Steel Construction.
2. Turning Vanes in Each Quadrant.
3. 1" 1-1/2 lb. Duct Liner.
4. Vertical and Horizontal Adjustable Deflection Grilles.
5. Fully Assembled
6. TDC Duct Connections Provided.
7. 3/8" Threaded Inserts for Mounting Available.
8. Engineered Curb and Duct Packages Available

NOM CFM 2,000	MODEL NO SFPD 1408-5	WEIGHT 33 LBS
0° DEFLECTION		
THROW 41'	P.D. .13	NC 29
22 1/2° DEFLECTION		
THROW 32'	P.D. .14	NC 30
45° DEFLECTION		
THROW 19'	P.D. .21	NC 36

QTY TAG

JOB NAME


CURBS PLUS, INC.
www.curbs-plus.com