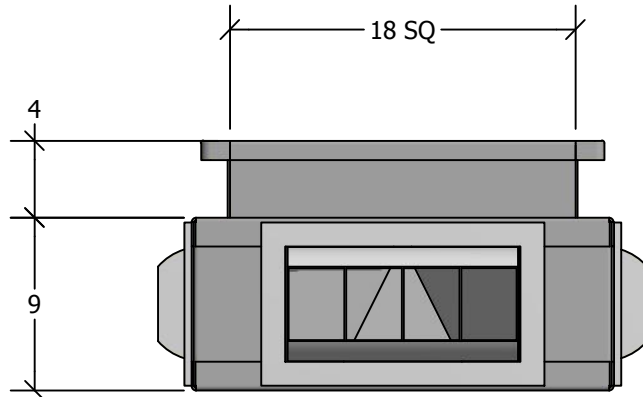


## DRUM LOUVER PLENUM-DIFFUSER



### STANDARD FEATURES

1. G-90 Galvanized Steel Construction.
2. Turning Vanes in Each Quadrant.
3. 1" 1-1/2 lb. Duct Liner.
4. Vertical and Horizontal Adjustable Drum Louver.
5. Fully Assembled
6. TDC Duct Connections Provided.
7. 3/8" Threaded Inserts for Mounting Available.
8. Engineered Curb and Duct Packages Available.

NOM CFM 1,200/1,600	MODEL NO DLPD 1206-3/4	WEIGHT 48 LBS
------------------------	---------------------------	------------------

0° DEFLECTION

THROW 46'/58'	P.D. .106/.19	NC <15/23
------------------	------------------	--------------

30° DEFLECTION

THROW 31'/41'	P.D. .173/.302	NC 23/32
------------------	-------------------	-------------

QTY TAG

JOB NAME

  
**CURBS PLUS, INC.**  
[www.curbs-plus.com](http://www.curbs-plus.com)