

APPROVED BY: \_\_\_\_\_

DATE APPROVED: \_\_\_\_\_

**CPM-5 (Insulated) (1-Piece) Metal Bldg. Roof Curb**

**STANDARD FEATURES**

1. 18Ga. Prime Galvalume Steel Construction
2. Corners Mitered and Welded Watertight.
3. Curbs Prime Painted after Fabrication.
4. Water Cricket.
5. 8" Minimum Height.
6. Internal Angle Reinforcing.
7. 1-1/2" Thick, 3# Density Fiberglass.

**OPTIONS:**

- 1.
- 2.
- 3.
- 4.

PROJECT NAME: \_\_\_\_\_

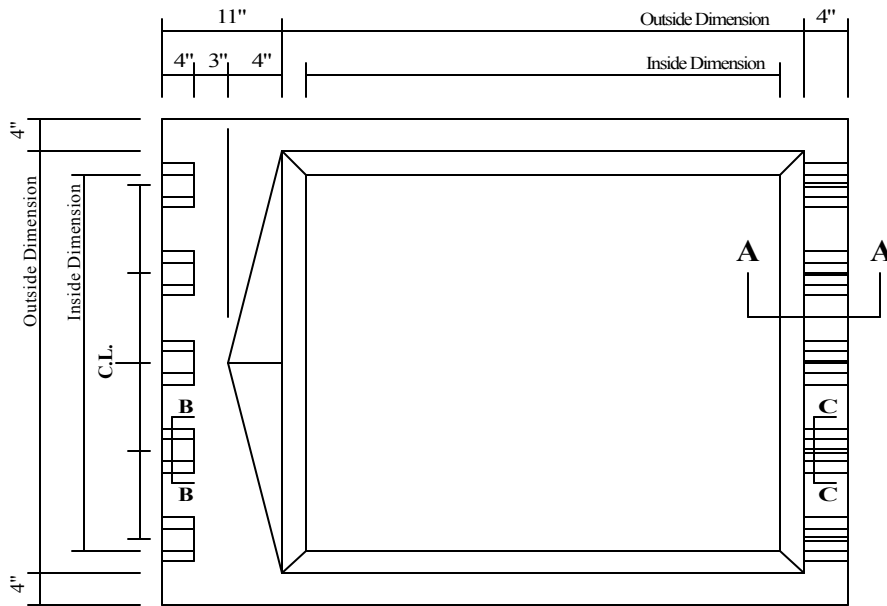
CITY, STATE: \_\_\_\_\_

CUSTOMER: \_\_\_\_\_

JOB NUMBER: \_\_\_\_\_

**Note: The Front Flange Fits Under the Roof Panel  
The Rear and Side Flanges Fit Over the Roof Panel**

CLIPS TO MATCH THIS ROOF PANEL \_\_\_\_\_

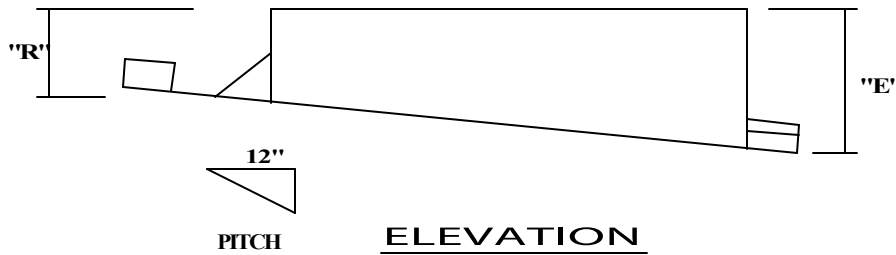


**PLAN VIEW**

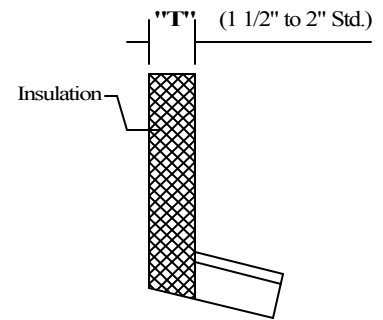
Number of Under Clips Per Curb \_\_\_\_\_  
Number of Over Clips Per Curb \_\_\_\_\_

"R" PANEL  "SSR" PANEL  
**SECTION B-B**  
(Under - Clips)

"R" PANEL  "SSR" PANEL  "T" PANEL  
**SECTION C-C**  
(Over - Clips)



**ELEVATION**



**SECTION A-A**

QUANTITY	INSIDE DIMENSION	OUTSIDE DIMENSION	"R"	"E"	"T"	TAG
	x	x				