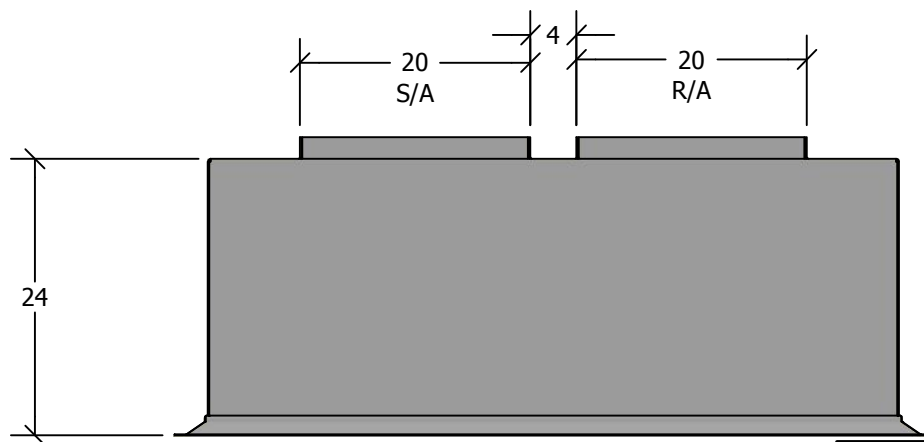


Concentric Diffuser System



STANDARD FEATURES

1. G-90 Galvanized Steel Construction.
2. 1" 1-1/2 lb. Duct Liner.
3. Aluminum Louvered Face Grille with Egg Crate Return.
4. Exposed Surfaces Painted Off White Enamel.
5. Fully Assembled.
6. Designed for Lay In Ceiling Installation.
7. Engineered Curb and Duct Packages Available.

QTY TAG

JOB NAME


CURBS PLUS, INC.
www.curbs-plus.com

NOM CFM 8,000	MODEL NO CFS20	WEIGHT 420 LBS.
THROW 30'-49'	P.D. .19	NECK VEL. 1,833
	NC 45	