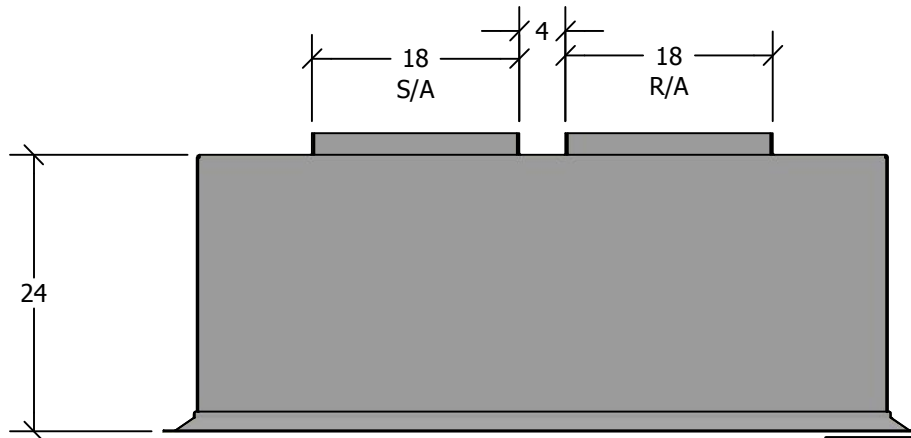


Concentric Diffuser System



STANDARD FEATURES

1. G-90 Galvanized Steel Construction.
2. 1" 1-1/2 lb. Duct Liner.
3. Aluminum Louverd Face Grille with Egg Crate Return.
4. Exposed Surfaces Painted Off White Enamel.
5. Fully Assembled.
6. Designed for Lay In Ceiling Installation.
7. Engineered Curb and Duct Packages Available.

QTY TAG

JOB NAME


CURBS PLUS, INC.
www.curbs-plus.com

| | | |
|------------------|-------------------|--------------------|
| NOM CFM 6,000 | MODEL NO CFS15 | WEIGHT 375 LBS. |
| THROW 20'-32' | P.D. .10 | NC 35 |
| | | NECK VEL. 1,375 |